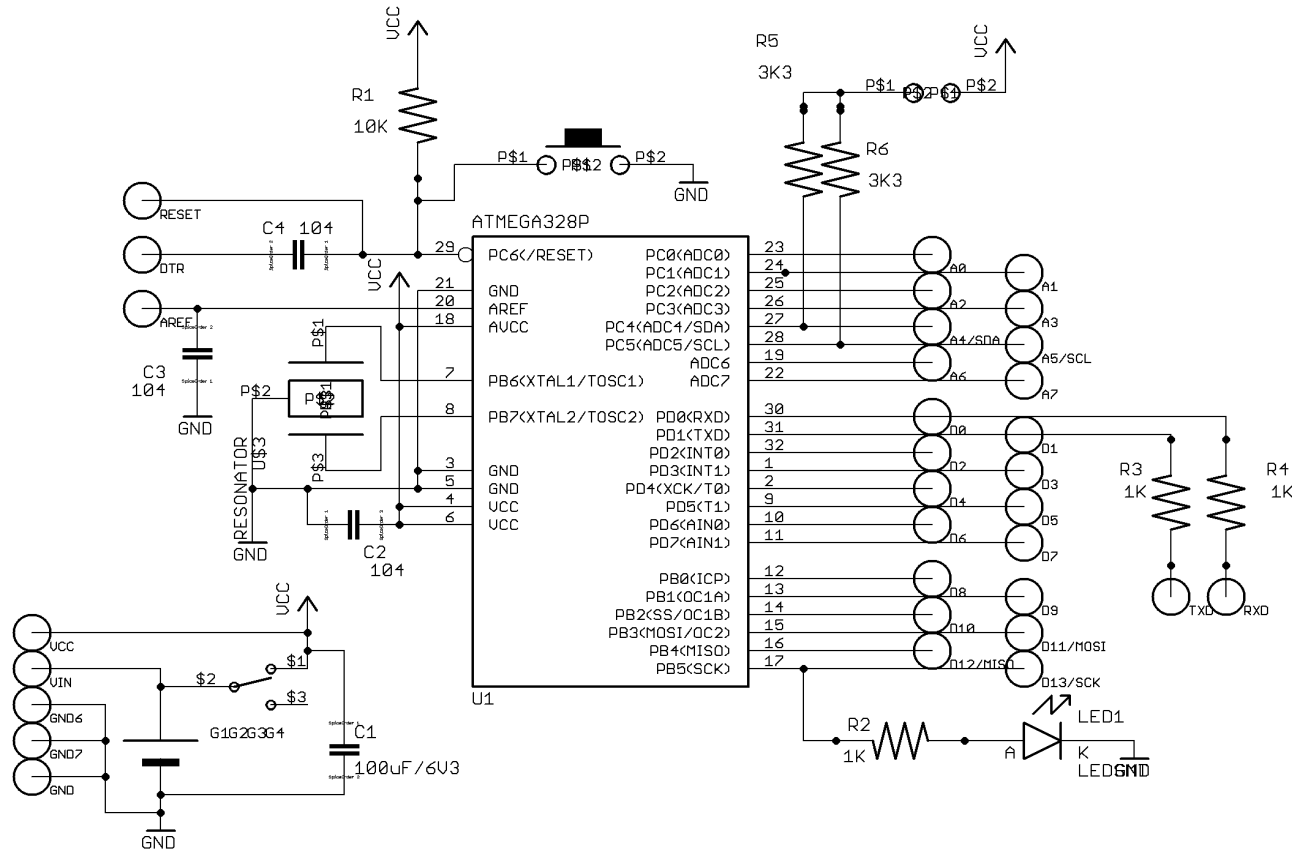


# DENCHI-Duino

# SCHEMATIC DIAGRAM

version 1.0



**BOOT LOADER**      **ATmegaBOOT\_168\_atmega328-pro-8MHz.hex**

**FUSE**      **Extended 0xFF**  
              **High 0xDA**  
              **Low 0xFF**