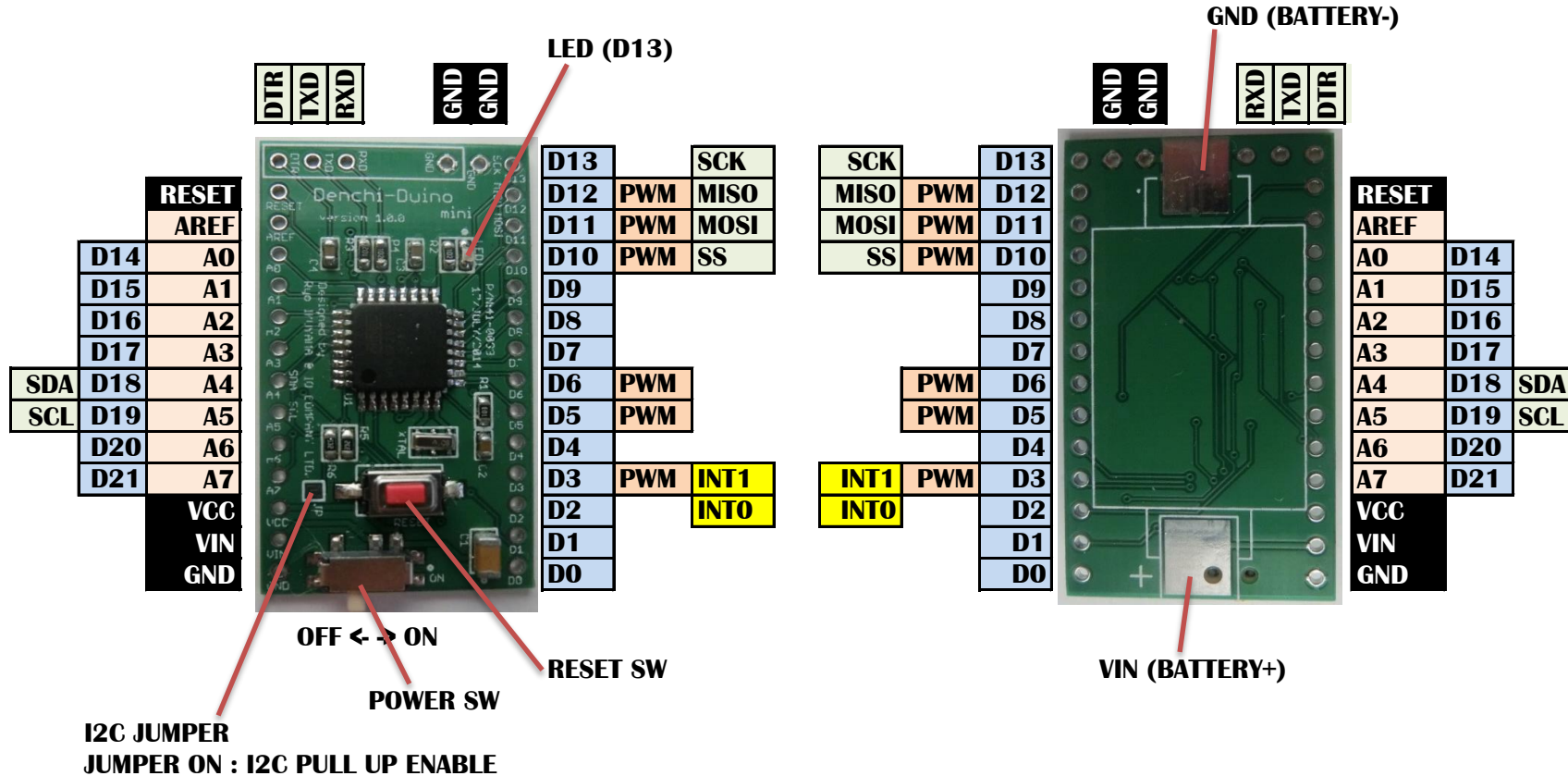


DENCHI-Duino

Version 1.0

PIN ASSIGNMENT



ARDUINO IDE SETTING

board ARDUINO PRO or PRO MINI
processor ATMEGA 328 (3.3V, 8MHz)

* IF YOU WANT TO USE A6 and A7, THEN YOU MUST EDIT ./HARDWARE/ARDUINO/BOARDS.TXT

from pro328.build.variant=standard
to pro328.build.variant=eightanaloginputs